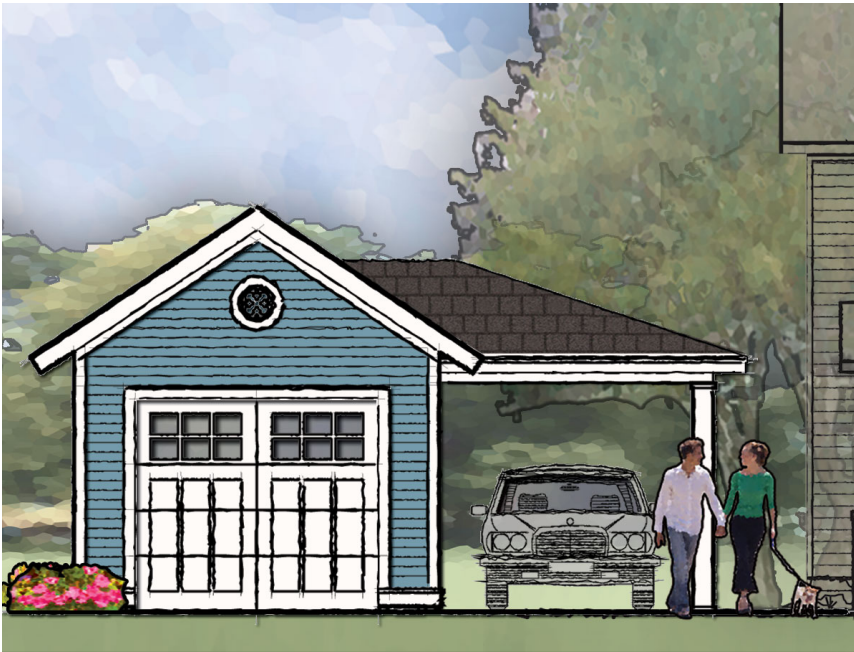


TightLines Designs

small homes for **BIG LIVING**



Weaver Garage

square footage. **216 sq ft**

width. **21' 0"**

depth. **18' 0"**

1st floor ceiling height. **8' 0"**

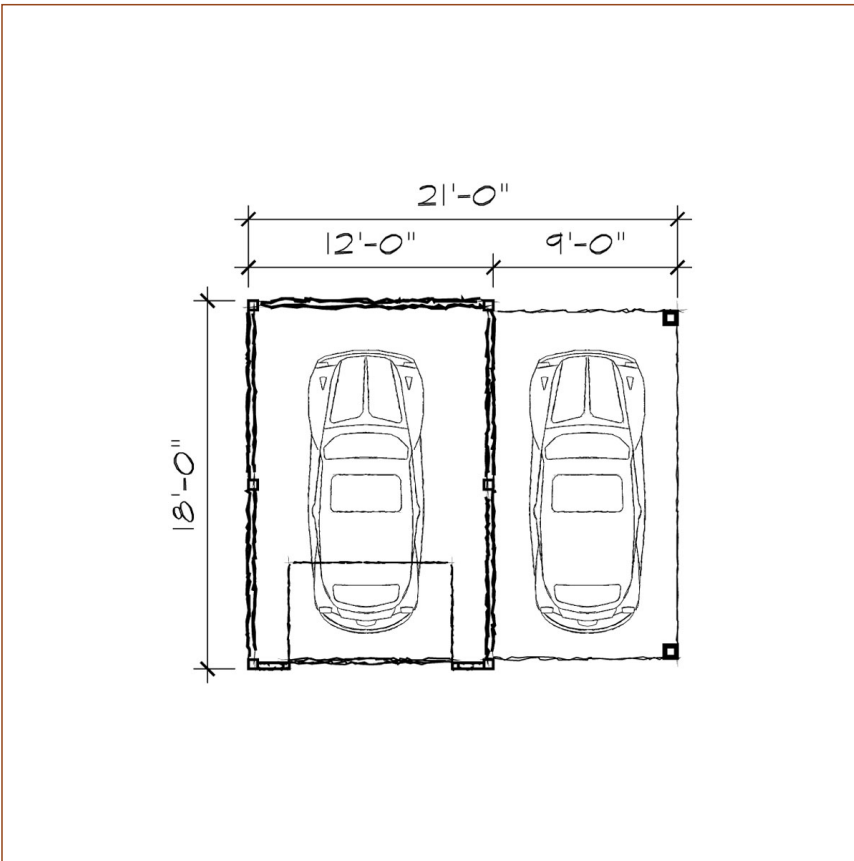
roof pitch. **8/12**

foundation. **slab**

exterior framing. **2x4**

Pricing

Visit our website for pricing information
www.tightlinesdesigns.com



www.tightlinesdesigns.com

119 East Hargett Street, Suite 300
 Raleigh, NC 27601

800-958-0012 toll free

919-834-3600 phone

919-829-0860 fax

To order, email info@tightlinesdesigns.com or call 1-800-958-0012.